

Matice 6hranná KLOBOUKOVÁ

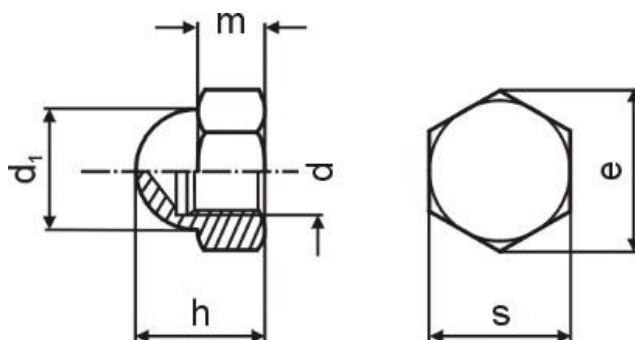
OCEL /8/ Zinek Bílý



DIN: 1587

ČSN:

ISO:



d	d ₁ max	e min	h	s	kód Fastek
M3	5,0	6,08	6,5	5,5	6KL03-2
M4	6,5	7,66	8	7	6KL04-2
M5	7,5	8,79	10	8	6KL05-2
M6	9,5	11,05	12	10	6KL06-2
M8	12,5	14,38	15	13	6KL08-2
M10	16,0	18,90	18	17	6KL10-2
M12	18,0	21,10	22	19	6KL12-2
M14	20,0	23,35	25	22	6KL14-2
M16	23,0	26,75	28	24	6KL16-2
M18	26,0	29,56	31	27	6KL18-2
M20	28,0	32,95	34	30	6KL20-2
M22	33,0	37,29	38	32	6KL22-2
M24	34,0	39,55	41	36	6KL24-2